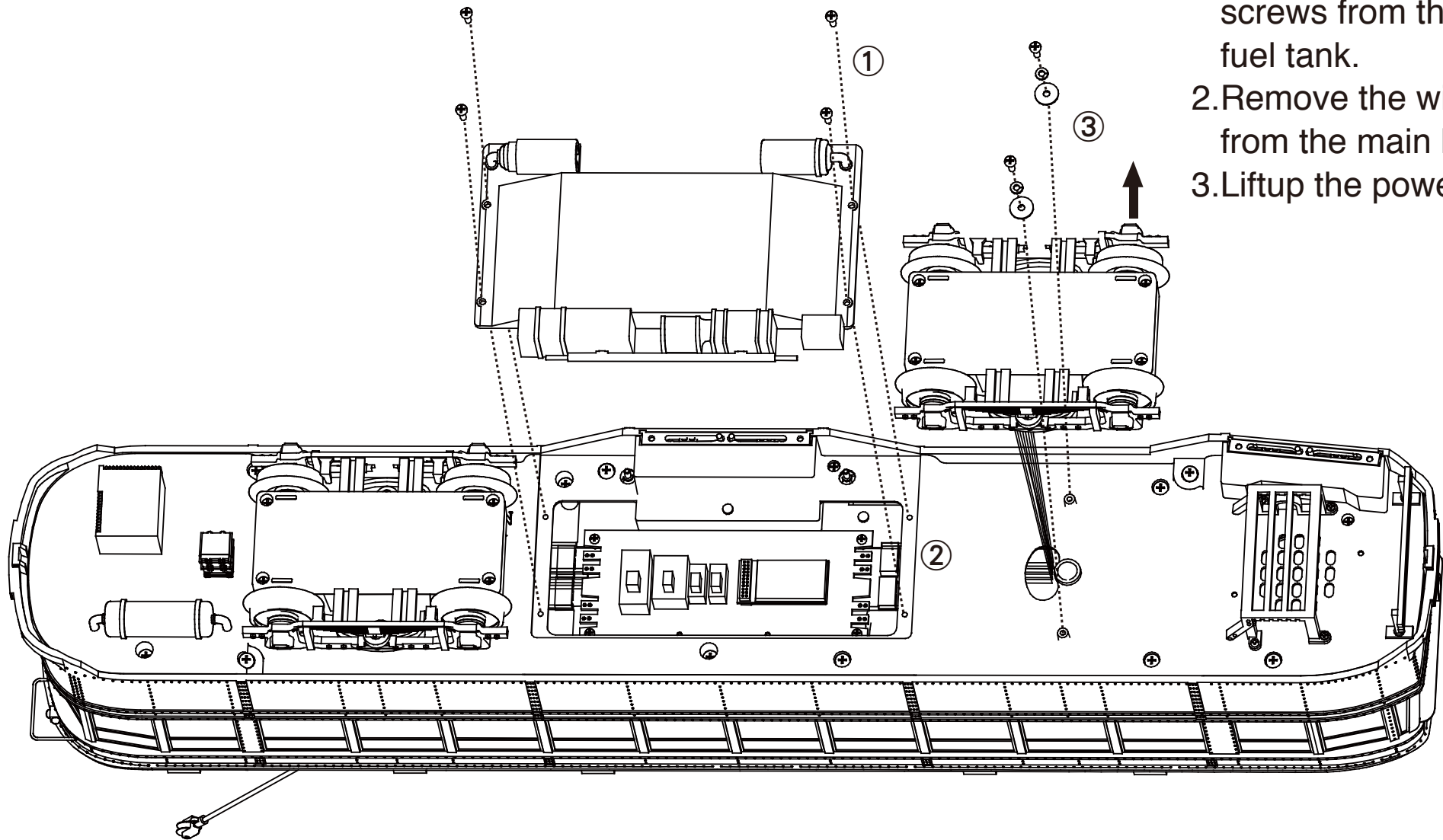


## *How to disassemble the power truck*



1. Unfasten 2 screws from the truck & 4 screws from the fuel tank.
2. Remove the wire cap from the main board .
3. Liftup the power truck.